

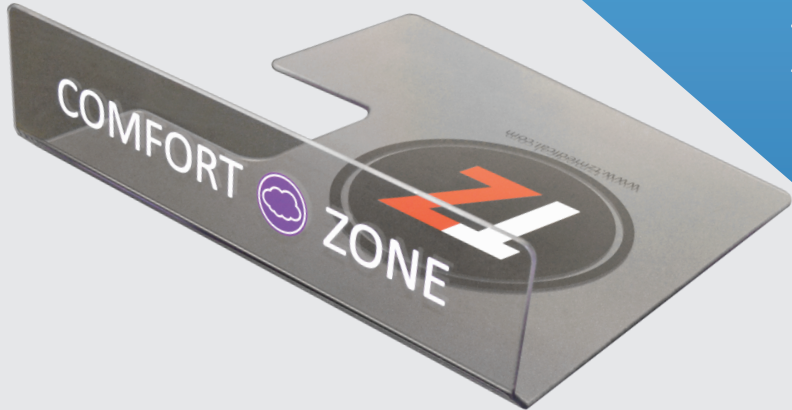


TZ Medical
Sparked by your ideas

RADSTOP STATION

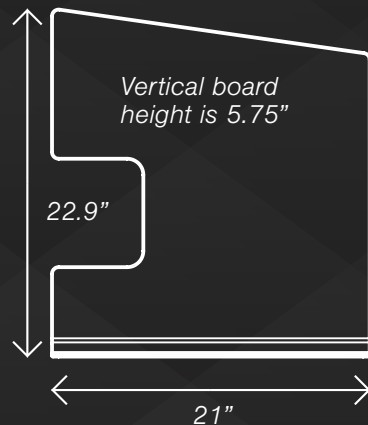
The RadStop Station is a lightweight poly-carbonate board designed to hold the Comfort Shield to help protect operators and staff from radiation produced during imaging procedures. The shape and construction of the board is designed to be easily moved under the patient into nearly any configuration to extend radiation protection in ways that fixed position devices can't achieve.

The RadStop Station (board and shield) can be used for all diagnostic and interventional imaging and can help speed up these procedures as well as prevent contamination of equipment.



Features

The RadStop board is specially designed to hold the TZ Medical Comfort Shield, which is a flexible leaded shield that has been tested to attenuate 98% of the radiation associated with imaging procedures.



- Comfort Shield Reduces radiation to operators and staff
- Can be used for all diagnostic and interventional imaging procedures
- Freedom to place radiation protection almost anywhere on your imaging table
- Perfect supplement to OEM table side shielding
- Allows unobstructed use of TZ Medical Patient Immobilizer

FIND OUT MORE



tzmedical.com



800.944.0187



info@tzmedical.com

13695 R1.0

STOPPING SCATTER RADIATION IN ITS TRACKS



TZ Medical
Sparked by your ideas

Scatter radiation causes cumulative and irreversible damage to health care professionals every day. This radiation damage can cause long-term health effects and has the potential to prematurely end medical careers.

The RadStop Station attenuates the radiation at its highest concentration point, greatly reducing the risk of long-term health issues for the physicians and staff who routinely perform procedures where x-ray is essential.

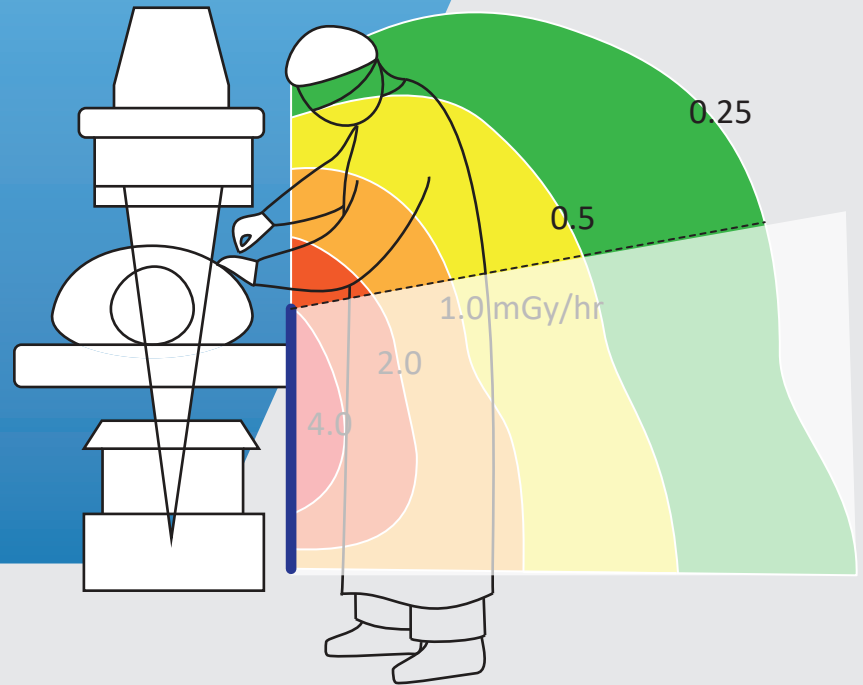


Table 1. Clear Shields on the table
kVp and mA with and without table shields in place

	kVp	mA	Phantom
No Shield	74	18.2	7 7/8" Lucite
	75	19.2	Cath Lab QC Platform
Comfort Shield on table and in the beam	78	18.6	7 7/8" Lucite
	78	18.2	Cath Lab QC Platform
Arms and shield installed on table	78	16.5	7 7/8" Lucite
	79	16.7	Cath Lab QC Platform

Table 2. Comfort Shield installed on the clear shields and arms - Radiation exposure measurements with and without the Comfort Shield installed on the arms; with 7 7/8" Lucite phantom in the beam (ion chamber behind the lead shield)

	mR/hr	kVp	mA
No Shield	805	78	16.2
Comfort Shield installed on the arms next to table	16	78	16.3

Item Number	Description	UOM
CZ-010	RadStop Board	1 each
CZ-105	Comfort Shield	1 each

FIND OUT MORE



tzmedical.com



800.944.0187



info@tzmedical.com

13695 R1.0